

VEHICLE TYPE

TF A35 / TF A35L / TF B35 / TF B75 / TF B75L CANTER
MITSUBISHI / 515 / 516 / 715 / 815 CANTER - CANTER 616-
FEC60T1-65T1 / FEA21BL4SA21 / FE21EL4SA21 /
FEB21CL4SA22 / FEB91EL4SA23 / FEB91EL4SA27 /
FEB91GL4SA23 / FEA21EL4SA25 / FEB91EL4SA29

TRANSMISSION TYPE

MO 38 S 5 (5,494) MT - 5 VİTES DÜZ MANUEL ŞANZIMAN

Kozmaksan Mitsubishi Power Take OFFs designed for MITSUBISHI trucks. Kozmaksan Mitsubishi PTOs has Single output model, Side Mounting type option and available for UNI&ISO mounting housing or suitable for flange connections.

Applications;

- Garbage Truck
- Crane Truck
- Dump Truck

Vehicle Type

MITSUBISHI

VACUUM CONTROL

SIDE MOUNTING

Transmission Type

TF A35 / TF A35L / TF B35 / TF B75 / TF B75L CANTER MITSUBISHI / 515 / 516 / 715 / 815 CANTER - CANTER 616- FEC60T1-65T1 / FEA21BL4SA21 / FE21EL4SA21 / FEB21CL4SA22 / FEB91EL4SA23 / FEB91EL4SA27 / FEB91GL4SA23 / FEA21EL4SA25 / FEB91EL4SA29

MTS.01.38S5.V.CT

Product Code

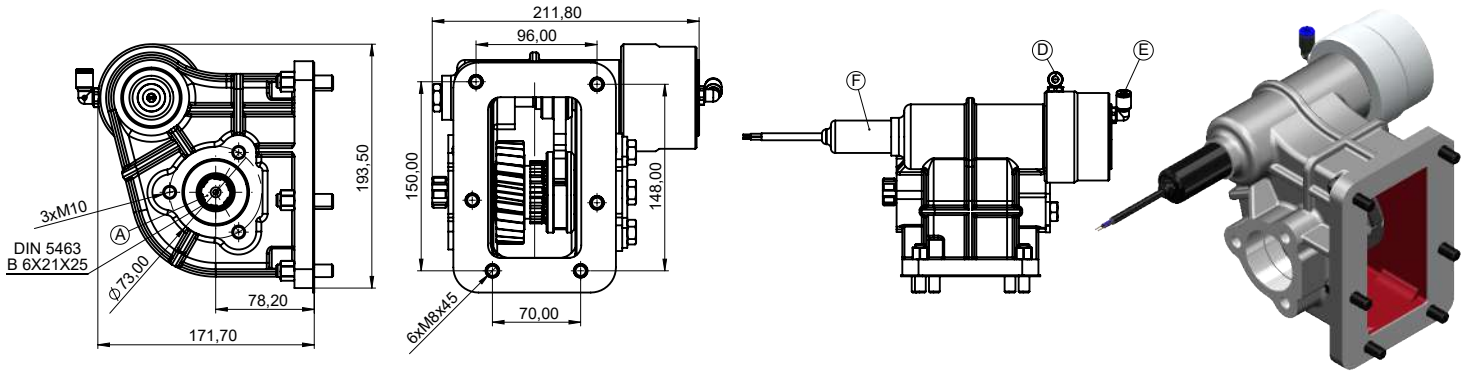
01

15.01.2019

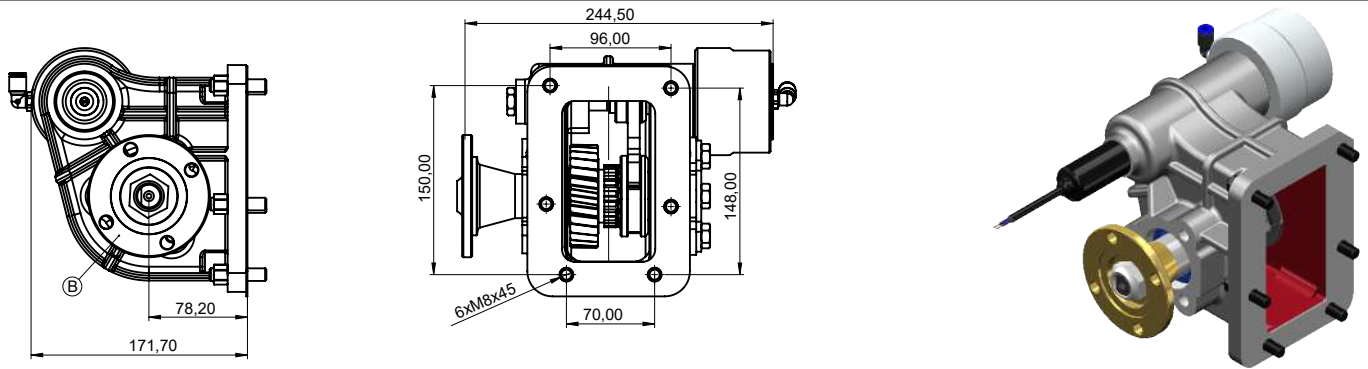
2/3

Rev. Date

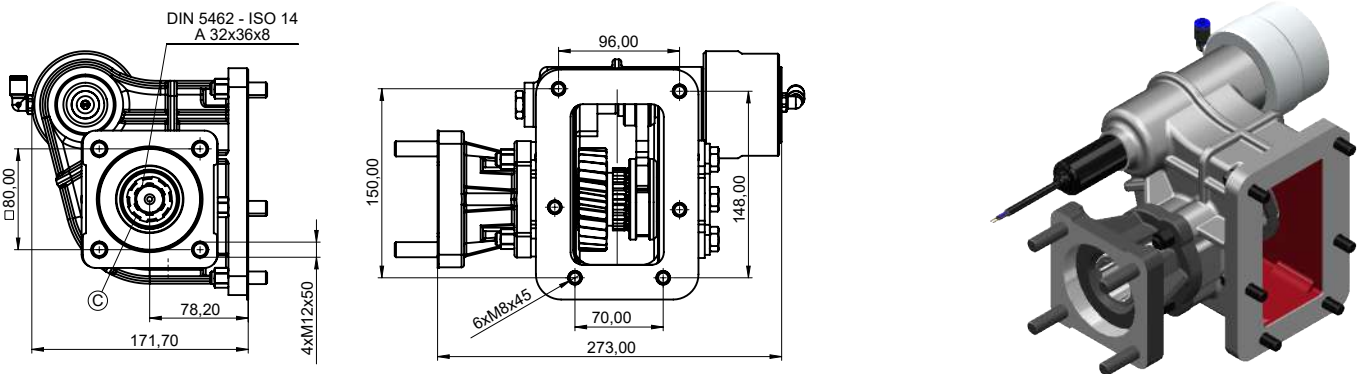
UNI OUTPUT



FLANGE OUTPUT



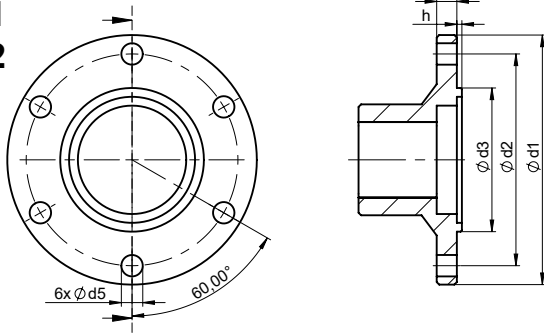
ISO OUTPUT



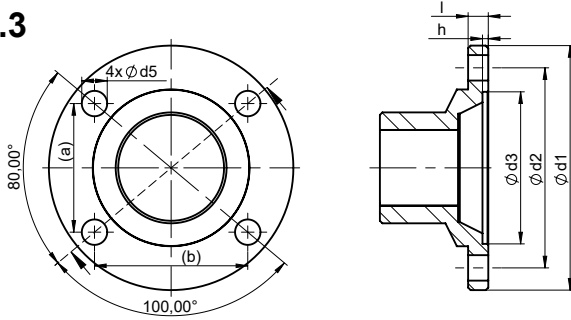
A	DIN 5463 B 6x21x25 UNI 3 Bolts Output
B	ISO 7647-7646 Standartlard Flange Output
C	ISO 14 - DIN 5462 A 8x32x36 ISO 4 Bolts Output
D	Vacuum Input R 1/8" (Engage)
E	Vacuum Input R 1/8" (Disengage)
F	Sensor (Engage-Disengage) Opt.

	UNI Output	FLANGE Output	ISO Output
Power(kW)@1000 RPM	23	36,7	23
Max. Torque (Nm)	220	350	220
Weight (Kg)	6,5 kg	7,5 kg	8 kg
Ratio			
Mounting Type	Left Side Mounting		
Sense of Rotation	CW		

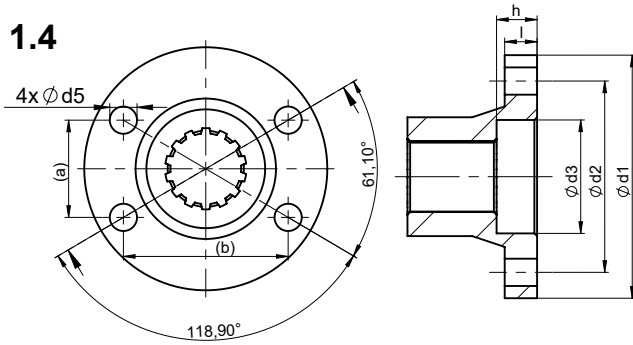
1.1
1.2



1.3

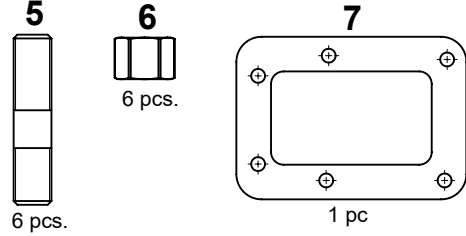


1.4

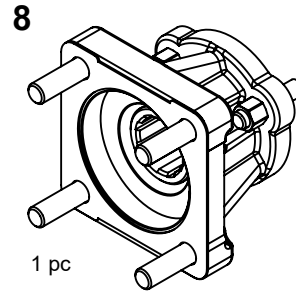


	∅ d1	∅ d2	∅ d3	∅ d5	l	h	Hole	(a) x (b)
1.1	100	84	57	8,1	8	2,3	6	-
1.2	90	74,5	47	8,1	8	2,3	6	-
1.3	97	79,37	60,32	10,1	8	2,3	4	51 x 60,8
1.4	90	70,83	42	10,1	12	9	4	36 x 61

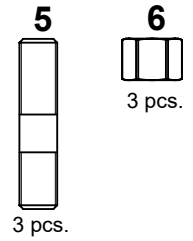
(PTO-Transmission Assembling Set)



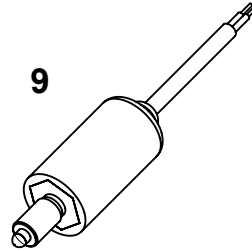
(PTO-ISO Adapter Kit)



PTO-UNI Pump Connection Parts)



9



No	Code	Description	No	Code	Description
1.1	C06-083-2	ISO 7646-100x6x8 Flange	9	T12-029	Engage/Disengage Sensor
1.2	C06-083-3	ISO 7646-90x6x8 Flange			
1.3	C06-083-1	ISO 7647-1300x4x10 Flange			
1.4	C06-185	Ø90 Flange			
5	T07-004	M10x1,5x45mm Stud			
6	T08-001	M10x1,5 Nut			
7	T04-023	Gasket 1 mm			
8	AKP.PP.2.52	UNI-ISO Adapter			